

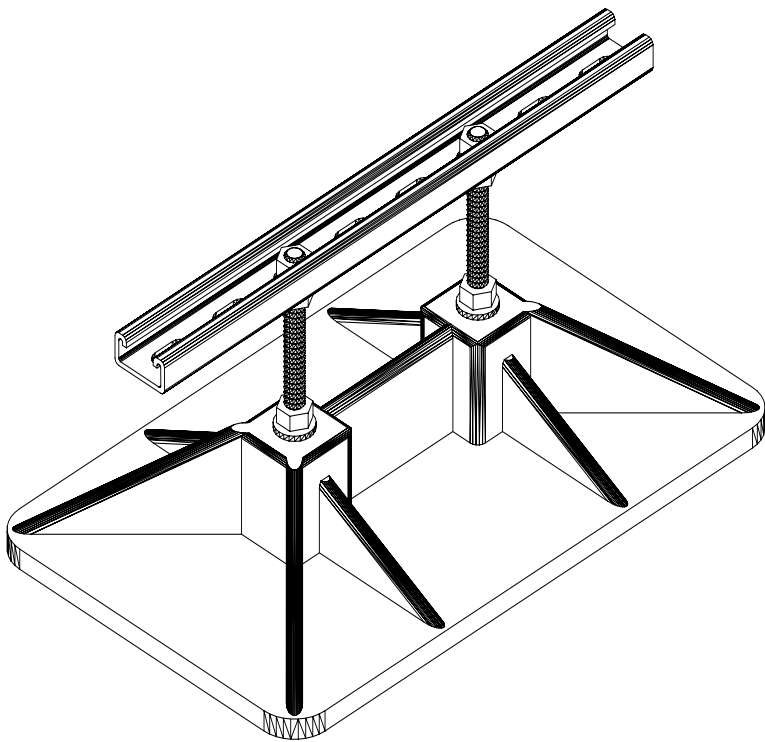
Type PP10 with Strut

Installation

1. All Firestone Systems are pre-assembled (no field assembly).
2. Sweep off loose gravel, if gravel exists.
3. Consult manufacturer of existing or new roofing system as to type of isolation pads required for their roofing system.
4. After pads are installed, place bases on pads.
5. With all pipe supports in place, start at beginning of the system and adjust each channel to achieve a balanced system.

Product Specifications

Bases:	High Density Polypropylene Plastics & other additives for UV Protection
Weight:	Base with assembly 5.5 pounds
Dimensions:	10" x 16" x 3"
Height:	Adjustable
HDG or Stainless Steel threaded rods, nuts, and washers.	
For Pipe sizes ½" thru 3½"	



**For 3½" and Smaller
Conduit Lines**

