

# Super Sleeper Systems

## Installation

1. All Firestone Systems are pre-assembled (no field assembly).
2. Sweep off loose gravel, if gravel exists.
3. Consult manufacturer of existing or new roofing system as to type of isolation pads required for their roofing system.
4. After pads are installed, place bases on pads.
5. With all pipe supports in place, start at beginning of the system and adjust each strut/roller to achieve a balanced system.

## Product Specifications

### SS8-C

Bases: High Density Polypropylene Plastics & other additives for UV Protection

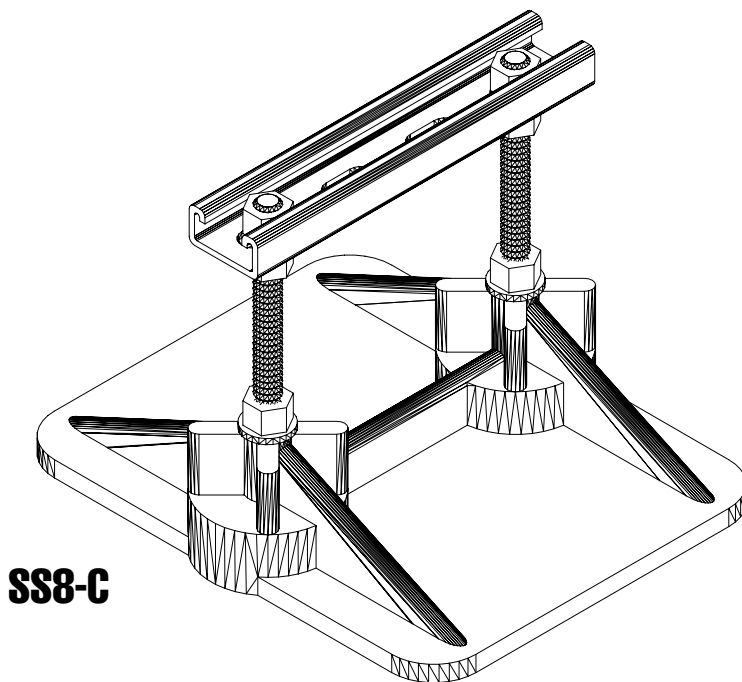
Weight: Base with assembly 3 pounds

Dimensions: 8"x10" x 2½"

Height: Adjustable to 10"

HDG or Stainless Steel threaded rods, nuts, and washers.

For Pipe sizes ½" thru 2½"



**For Pipe Sizes  
up to 2½"**

